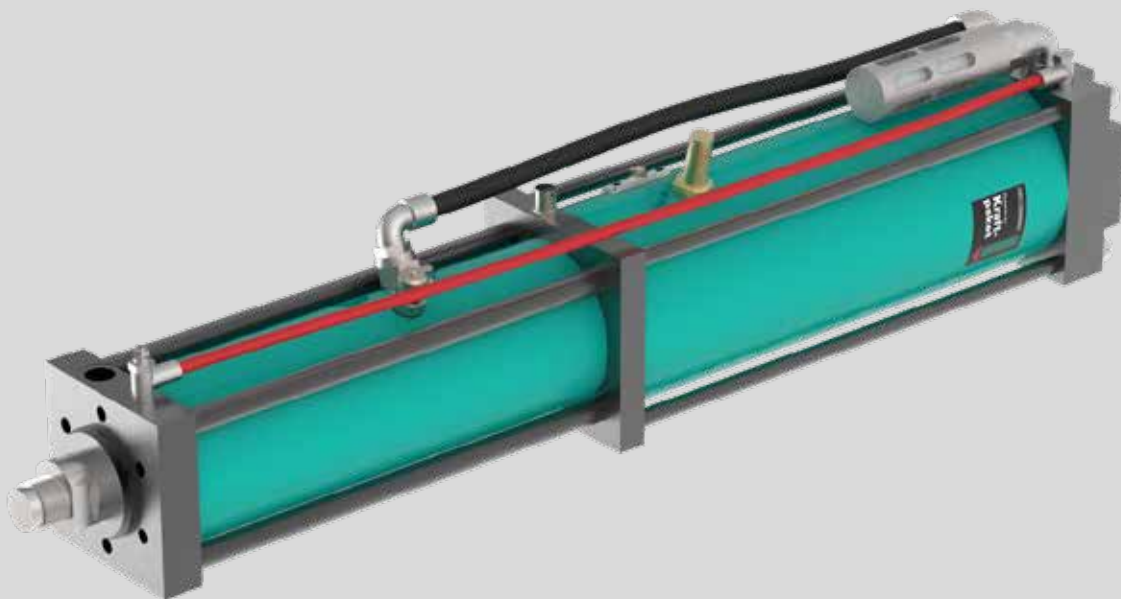


TOX®-Powerpackage Type S and K

Data sheet 10.20
2021/07



TOX[®]-Powerpackage type S and type K

The series S and K at a glance

Type S (standard) and version S 50 with power stroke adjustment

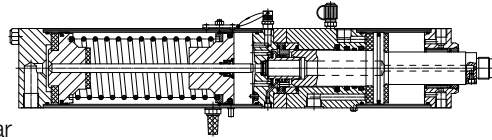
Version 030

- Up to 498 kN press force
- Up to 200 mm total stroke
- Up to 12 mm power stroke
- Operating pressure 2 – 6 bar

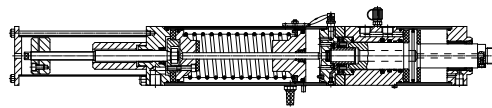
Version 000. 050

- Up to 515 kN press force
- Up to 400 mm total stroke
- Up to 80 mm power stroke
- Operating pressure 2 – 10 bar

Type S 6/10 bar



Version .50 with power stroke adjustment



Patented power bypass with integrated hydraulic end position cushioning in return stroke is a standard feature for all TOX[®]-Powerpackages type S 4 to S 50. Also available with fixed stop with elastomer cushioning on advance stroke FUD.

For further models see our data sheet 10.08.

Type K (compact) and version K 51 with total stroke adjustment

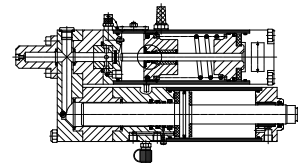
Version 030

- Up to 395 kN press force
- Up to 200 mm total stroke
- Up to 12 mm power stroke
- Operating pressure 2 – 6 bar

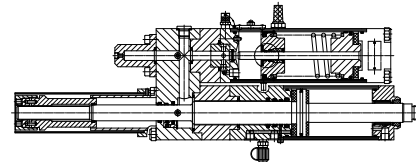
Version 000. 051

- Up to 515 kN press force
- Up to 400 mm total stroke
- Up to 50 mm power stroke
- Operating pressure 2 – 10 bar

Type K 6/10 bar



Version .51 with total stroke adjustment



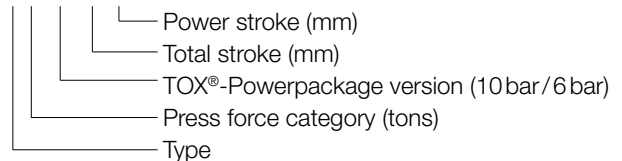
Patented power bypass, integrated hydraulic end position cushioning in return stroke and fixed stop with elastomer cushioning on advance stroke FUD is available on request.

The TOX[®]-Powerpackage is available with different press forces, strokes and designs.

Selection criteria:

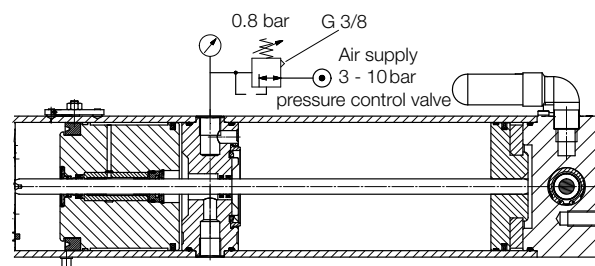
- 1) Press force required for the application
- 2) Available air pressure
- 3) Required total stroke of the TOX[®]-Powerpackage
- 4) Required power stroke of the TOX[®]-Powerpackage
- 5) Type of application e. g. punching, embossing etc.
- 6) Available installation space

Description for ordering the TOX[®]-Powerpackage
S 4.30.50.6

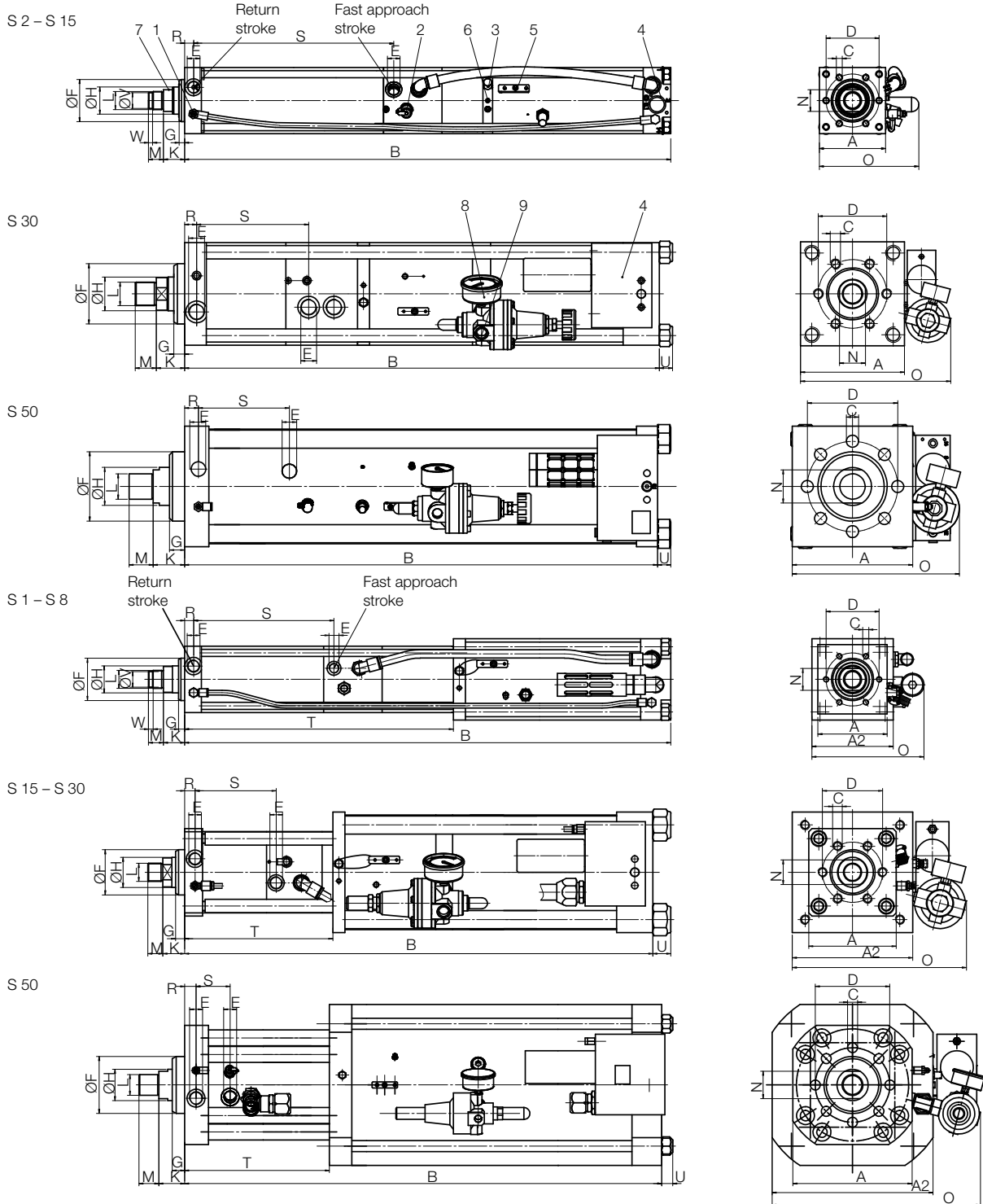


Pneumatic spring LF

In TOX[®]-Powerpackages with pneumatic spring, the conventional pressure spring is replaced by the so called pneumatic spring. The oil volume is preloaded by the pressurized air volume in the intensifier chamber. The pressure regulator is supplied with the unit.



TOX®-Powerpackage type S



- | | |
|--------------------------------|--|
| 1 Control throttle X | 6 Oil level indicator |
| 2 High-pressure measuring hose | 7 Bleed screw |
| 3 Oil filling nipple | 8 Pneumatic spring (LF) |
| 4 Power stroke valve | 9 Pneumatic spring connection (permanent pressure) |
| 5 Bleed plate | |

TOX[®]-Powerpackage type S

Version 030, 6 bar, 10 – 498 kN

Forces

| Type | Total stroke | Incl. Power stroke | At compressed air 6 bar | | | Weight kg |
|-------------------|--------------|--------------------|-------------------------|-----------------------|--------------------|-----------|
| | | | Max. Press force kN | Fast approach force N | Retracting force N | |
| S 001.030.050.12 | 50 | 12 | 10.7 | 690 | 730 | 7 |
| S 001.030.100.12 | 100 | 12 | 10.7 | 690 | 730 | 8 |
| S 001.030.200.12 | 200 | 12 | 10.7 | 690 | 730 | 10 |
| S 002.030.050.06 | 50 | 6 | 17.1 | 1420 | 1490 | 9 |
| S 002.030.050.12 | 50 | 12 | 15.7 | 1420 | 1480 | 12 |
| S 002.030.100.12 | 100 | 12 | 15.7 | 1420 | 1480 | 15 |
| S 002.030.200.12 | 200 | 12 | 15.7 | 1420 | 1480 | 20 |
| S 004.030.050.06D | 50 | 6 | 31.4 | 1850 | 1940 | 16 |
| S 004.030.050.12D | 50 | 12 | 38.5 | 1840 | 1950 | 22 |
| S 004.030.100.12D | 100 | 12 | 38.5 | 1840 | 1950 | 25 |
| S 004.030.200.12D | 200 | 12 | 38.5 | 1840 | 1950 | 32 |
| S 008.030.050.06D | 50 | 6 | 73.9 | 3200 | 3280 | 28 |
| S 008.030.100.06D | 100 | 6 | 73.9 | 3200 | 3280 | 34 |
| S 008.030.050.12D | 50 | 12 | 69.0 | 3210 | 3270 | 42 |
| S 008.030.100.12D | 100 | 12 | 69.0 | 3210 | 3270 | 47 |
| S 008.030.200.12D | 200 | 12 | 69.0 | 3210 | 3270 | 59 |
| S 015.030.050.06D | 50 | 6 | 133.5 | 4610 | 5340 | 48 |
| S 015.030.050.12D | 50 | 12 | 130.8 | 4770 | 5180 | 85 |
| S 015.030.100.12D | 100 | 12 | 130.8 | 4770 | 5180 | 95 |
| S 015.030.200.12D | 200 | 12 | 130.8 | 4770 | 5180 | 116 |
| S 030.030.070.06D | 70 | 6 | 264.2 | 7080 | 8740 | 111 |
| S 030.030.200.12D | 200 | 12 | 261.9 | 7080 | 8740 | 185 |
| S 050.030.070.06D | 70 | 6 | 406.0 | 7850 | 10830 | 150 |
| S 050.030.150.10D | 150 | 10 | 498.0 | 7850 | 10830 | 254 |

Type with suffix D: Power bypass ZHD with hydraulic end position cushioning as standard.

Dimensions in mm

Dimensions

| Type | A | A ₂ | B | C | D | E*** | F ₁₇ | G | H | K | L | M | N | O | R | S | T | U | V ₉₆ | W | *LF | **IV | |
|-------------------|-----|----------------|------|----------|-----|------|-----------------|----|----|------|---------|----|----|-----|------|-------|-----|----|-----------------|---|-----|------|---|
| S 001.030.050.12 | 50 | 70 | 479 | 6xM6x11 | 40 | G1/8 | 30 | 10 | 16 | 24 | M12x1.5 | 12 | 14 | 102 | 11.5 | 106.5 | 197 | - | - | - | - | ■ | |
| S 001.030.100.12 | 50 | 70 | 589 | 6xM6x11 | 40 | G1/8 | 30 | 10 | 16 | 24 | M12x1.5 | 12 | 14 | 102 | 11.5 | 156.5 | 297 | - | - | - | - | ■ | |
| S 001.030.200.12 | 50 | 70 | 794 | 6xM6x11 | 40 | G1/8 | 30 | 10 | 16 | 24 | M12x1.5 | 12 | 14 | 102 | 11.5 | 256.5 | 497 | - | - | - | - | ■ | |
| S 002.030.050.06 | 70 | - | 474 | 6xM8x12 | 54 | G1/4 | 40 | 10 | 20 | 26 | M16x1.5 | 15 | 17 | 107 | 13 | 116 | - | - | - | - | - | ■ | |
| S 002.030.050.12 | 70 | 85 | 519 | 6xM8x12 | 54 | G1/4 | 40 | 10 | 20 | 26 | M16x1.5 | 15 | 17 | 116 | 13 | 116 | 210 | - | - | - | - | ■ | |
| S 002.030.100.12 | 70 | 85 | 649 | 6xM8x12 | 54 | G1/4 | 40 | 10 | 20 | 26 | M16x1.5 | 15 | 17 | 116 | 13 | 166 | 310 | - | - | - | - | ■ | |
| S 002.030.200.12 | 70 | 85 | 870 | 6xM8x12 | 54 | G1/4 | 40 | 10 | 20 | 26 | M16x1.5 | 15 | 17 | 116 | 13 | 266 | 510 | - | - | - | - | ■ | |
| S 004.030.050.06D | 85 | - | 558 | 6xM8x15 | 64 | G3/8 | 50 | 10 | 30 | 28.5 | M22x2 | 20 | 24 | 120 | 14 | 125 | - | - | 18 | 7 | - | ■ | |
| S 004.030.050.12D | 90 | 110 | 591 | 6xM8x15 | 64 | G3/8 | 50 | 10 | 30 | 28.5 | M22x2 | 20 | 24 | 165 | 14 | 125 | 226 | - | 18 | 7 | - | ■ | |
| S 004.030.100.12D | 90 | 110 | 691 | 6xM8x15 | 64 | G3/8 | 50 | 10 | 30 | 28.5 | M22x2 | 20 | 24 | 165 | 14 | 175 | 326 | - | 18 | 7 | - | ■ | |
| S 004.030.200.12D | 90 | 110 | 926 | 6xM8x15 | 64 | G3/8 | 50 | 10 | 30 | 28.5 | M22x2 | 20 | 24 | 165 | 14 | 275 | 526 | - | 18 | 7 | - | ■ | |
| S 008.030.050.06D | 110 | - | 611 | 6xM10x16 | 88 | G1/2 | 70 | 10 | 45 | 35 | M30x2 | 25 | 36 | 165 | 15 | 133 | - | - | 26 | 7 | - | ■ | |
| S 008.030.100.06D | 110 | - | 726 | 6xM10x16 | 88 | G1/2 | 70 | 10 | 45 | 35 | M30x2 | 25 | 36 | 165 | 15 | 183 | - | - | 26 | 7 | - | ■ | |
| S 008.030.050.12D | 115 | 135 | 679 | 6xM10x16 | 88 | G1/2 | 70 | 10 | 45 | 35 | M30x2 | 25 | 36 | 190 | 15 | 133 | 246 | - | 26 | 7 | - | ■ | |
| S 008.030.100.12D | 115 | 135 | 794 | 6xM10x16 | 88 | G1/2 | 70 | 10 | 45 | 35 | M30x2 | 25 | 36 | 190 | 15 | 183 | 346 | - | 26 | 7 | - | ■ | |
| S 008.030.200.12D | 115 | 135 | 1024 | 6xM10x16 | 88 | G1/2 | 70 | 10 | 45 | 35 | M30x2 | 25 | 36 | 190 | 15 | 283 | 546 | - | 26 | 7 | - | ■ | |
| S 015.030.050.06D | 135 | - | 680 | 6xM16x25 | 100 | G1/2 | 75 | 15 | 50 | 36 | M30x2 | 25 | 41 | 190 | 17.5 | 134.5 | - | - | 26 | 7 | - | ■ | |
| S 015.030.050.12D | 145 | 170 | 867 | 6xM16x25 | 100 | G1/2 | 75 | 15 | 50 | 36 | M30x2 | 25 | 41 | 290 | 17.5 | 134.5 | 246 | 22 | 26 | 7 | ■ | ■ | |
| S 015.030.100.12D | 145 | 170 | 967 | 6xM16x25 | 100 | G1/2 | 75 | 15 | 50 | 36 | M30x2 | 25 | 41 | 290 | 17.5 | 184.5 | 346 | 22 | 26 | 7 | ■ | ■ | |
| S 015.030.200.12D | 145 | 170 | 1207 | 6xM16x25 | 100 | G1/2 | 75 | 15 | 50 | 36 | M30x2 | 25 | 41 | 290 | 17.5 | 284.5 | 546 | 22 | 26 | 7 | ■ | ■ | |
| S 030.030.070.06D | 170 | - | 948 | 6xM20x30 | 132 | G3/4 | 100 | 18 | 56 | 47 | M39x2 | 35 | 50 | 290 | 20 | 206 | - | 22 | - | - | - | ■ | ■ |
| S 030.030.200.12D | 200 | - | 1428 | 6xM20x30 | 132 | G3/4 | 100 | 18 | 56 | 47 | M39x2 | 35 | 50 | 320 | 20 | 336 | 587 | 30 | - | - | - | ■ | ■ |
| S 050.030.070.06D | 200 | - | 1010 | 8xM20x30 | 150 | G3/4 | 115 | 25 | 63 | 52 | M42x2 | 40 | 55 | 320 | 23 | 213 | - | 30 | - | - | - | ■ | ■ |
| S 050.030.150.10D | 240 | 267 | 1231 | 8xM20x30 | 150 | G3/4 | 115 | 25 | 63 | 52 | M42x2 | 40 | 55 | 470 | 23 | 293 | 498 | 16 | - | - | - | ■ | ■ |

Type with suffix D: Power bypass ZHD with hydraulic end position cushioning as standard.

Dimensions in mm

*LF: Version with pneumatic spring. See page 2.

**IV: Integrated power stroke valve

***See schedule pneumatic connection sizes page 8.

TOX®-Powerpackage type S

Version 000, 10 bar, 10 – 515 kN

Forces

| Type | Total stroke | Incl. Power stroke | At compressed air 6 bar | At compressed air 10 bar | At compressed air 10 bar | | Weight kg |
|--------------------|--------------|--------------------|-------------------------|--------------------------|--------------------------|--------------------|-----------|
| | | | max. Press force kN | max. Press force kN | fast approach force N | retracting force N | |
| S 001.000.032.06 | 32 | 6 | 5.6 | 9.8 | 1150 | 1230 | 4 |
| S 001.000.050.12 | 50 | 12 | 5.6 | 9.8 | 1150 | 1230 | 5 |
| S 001.000.100.12 | 100 | 12 | 5.6 | 9.8 | 1150 | 1230 | 6 |
| S 001.000.200.12 | 200 | 12 | 5.6 | 9.8 | 1150 | 1230 | 9 |
| S 001.000.050.24 | 50 | 24 | 7.1 | 12.6 | 1150 | 1230 | 7 |
| S 001.000.100.24 | 100 | 24 | 7.1 | 12.6 | 1150 | 1230 | 8 |
| S 001.000.200.24 | 200 | 24 | 7.1 | 12.6 | 1150 | 1230 | 9 |
| S 001.000.100.48 | 100 | 48 | 7.1 | 12.5 | 1150 | 1230 | 12 |
| S 001.000.200.48 | 200 | 48 | 7.1 | 12.5 | 1150 | 1230 | 14 |
| S 001.000.200.60 | 200 | 60 | 7.1 | 12.5 | 1150 | 1230 | 16 |
| S 002.000.032.06 | 32 | 6 | 11.5 | 20.3 | 2360 | 2500 | 8 |
| S 002.000.050.12 | 50 | 12 | 11.5 | 20.3 | 2360 | 2500 | 9 |
| S 002.000.100.12 | 100 | 12 | 11.5 | 20.3 | 2360 | 2500 | 12 |
| S 002.000.200.12 | 200 | 12 | 11.5 | 20.3 | 2360 | 2500 | 16 |
| S 002.000.050.24 | 50 | 24 | 11.5 | 20.0 | 2370 | 2490 | 13 |
| S 002.000.100.24 | 100 | 24 | 11.5 | 20.0 | 2370 | 2490 | 15 |
| S 002.000.200.24 | 200 | 24 | 11.5 | 20.0 | 2370 | 2490 | 20 |
| S 002.000.100.44 | 100 | 44 | 11.7 | 20.3 | 2360 | 2490 | 20 |
| S 002.000.200.44 | 200 | 44 | 11.7 | 20.3 | 2360 | 2490 | 24 |
| S 002.000.200.65 | 200 | 65 | 11.7 | 20.3 | 2360 | 2490 | 26 |
| S 004.000.032.06 D | 32 | 6 | 22.7 | 39.7 | 3070 | 3280 | 14 |
| S 004.000.050.12 D | 50 | 12 | 22.7 | 39.7 | 3070 | 3280 | 16 |
| S 004.000.100.12 D | 100 | 12 | 22.7 | 39.7 | 3070 | 3280 | 19 |
| S 004.000.200.12 D | 200 | 12 | 22.7 | 39.7 | 3070 | 3280 | 27 |
| S 004.000.400.12 D | 400 | 12 | 23.2 | 40.2 | 3070 | 3280 | 46 |
| S 004.000.050.24 D | 50 | 24 | 23.2 | 40.2 | 3070 | 3280 | 22 |
| S 004.000.100.24 D | 100 | 24 | 23.2 | 40.2 | 3070 | 3280 | 25 |
| S 004.000.200.24 D | 200 | 24 | 23.2 | 40.2 | 3070 | 3280 | 32 |
| S 004.000.100.44 D | 100 | 44 | 23.2 | 40.2 | 3070 | 3280 | 38 |
| S 004.000.200.44 D | 200 | 44 | 23.2 | 40.2 | 3070 | 3280 | 45 |
| S 004.000.400.44 D | 400 | 44 | 23.2 | 40.2 | 3070 | 3280 | 58 |
| S 004.000.200.65 D | 200 | 65 | 23.2 | 40.2 | 3070 | 3280 | 48 |
| S 004.000.400.65 D | 400 | 65 | 23.2 | 40.2 | 3070 | 3280 | 61 |
| S 008.000.032.06 D | 32 | 6 | 44.4 | 77 | 5320 | 5530 | 25 |
| S 008.000.050.12 D | 50 | 12 | 44.4 | 77 | 5320 | 5530 | 31 |
| S 008.000.100.12 D | 100 | 12 | 44.4 | 77 | 5320 | 5530 | 34 |
| S 008.000.200.12 D | 200 | 12 | 44.4 | 77 | 5320 | 5530 | 46 |
| S 008.000.400.12 D | 400 | 12 | 44.4 | 77 | 5330 | 5520 | 90 |
| S 008.000.050.24 D | 50 | 24 | 44.4 | 77 | 5330 | 5520 | 47 |
| S 008.000.100.24 D | 100 | 24 | 44.4 | 77 | 5330 | 5520 | 47 |
| S 008.000.200.24 D | 200 | 24 | 44.4 | 77 | 5330 | 5520 | 60 |
| S 008.000.100.48 D | 100 | 48 | 44.4 | 77 | 5410 | 5440 | 84 |
| S 008.000.200.48 D | 200 | 48 | 44.4 | 77 | 5410 | 5440 | 95 |
| S 008.000.400.48 D | 400 | 48 | 44.4 | 77 | 5410 | 5440 | 121 |
| S 008.000.200.80 D | 200 | 80 | 44.4 | 77 | 5410 | 5440 | 102 |
| S 008.000.400.80 D | 400 | 80 | 44.4 | 77 | 5410 | 5440 | 135 |
| S 015.000.032.06 D | 32 | 6 | 85.4 | 148 | 7640 | 9050 | 43 |
| S 015.000.050.12 D | 50 | 12 | 85.4 | 148 | 7640 | 9050 | 48 |
| S 015.000.100.12 D | 100 | 12 | 85.4 | 148 | 7640 | 9050 | 57 |
| S 015.000.200.12 D | 200 | 12 | 85.4 | 148 | 7640 | 9050 | 66 |
| S 015.000.400.12 D | 400 | 12 | 85.4 | 148 | 7810 | 8890 | 153 |
| S 015.000.050.24 D | 50 | 24 | 85.4 | 148 | 7810 | 8890 | 86 |
| S 015.000.100.24 D | 100 | 24 | 85.4 | 148 | 7810 | 8890 | 95 |

Type with suffix D: Power bypass ZHD with hydraulic end position cushioning as standard.

Dimensions in mm

TOX[®]-Powerpackage type S

Version 000, 10 bar, 10 – 515 kN

Forces

| Type | Total stroke | Incl. Power stroke | At compressed air 6 bar | At compressed air 10 bar | At compressed air 10 bar | | Weight kg |
|--------------------|--------------|-----------------------|-------------------------|--------------------------|--------------------------|-----------------------|--------------|
| | | | max. Press force kN | max. Press force kN | fast approach force N | retracting force N | |
| S 015.000.200.24 D | 200 | 24 | 85.4 | 148.0 | 7810 | 8890 | 116 |
| S 015.000.100.40 D | 100 | 40 | 85.0 | 149.6 | 7810 | 8890 | 112 |
| S 015.000.200.40 D | 200 | 40 | 85.0 | 149.6 | 7810 | 8890 | 136 |
| S 015.000.400.40 D | 400 | 40 | 85.0 | 149.6 | 7810 | 8890 | 138 |
| S 015.000.200.80 D | 200 | 80 | 85.0 | 149.6 | 7810 | 8890 | 150 |
| S 015.000.400.80 D | 400 | 80 | 85.0 | 149.6 | 7810 | 8890 | 190 |
| S 030.000.050.06 D | 50 | 6 | 171.6 | 297.7 | 11490 | 15090 | 103 |
| S 030.000.070.12 D | 70 | 12 | 171.6 | 297.7 | 11490 | 15090 | 112 |
| S 030.000.100.12 D | 100 | 12 | 171.6 | 297.7 | 11490 | 15090 | 121 |
| S 030.000.200.12 D | 200 | 12 | 171.6 | 297.7 | 11490 | 15090 | 151 |
| S 030.000.400.12 D | 400 | 12 | 170.8 | 300.8 | 11490 | 15090 | 250 |
| S 030.000.070.20 D | 70 | 20 | 170.8 | 300.8 | 11490 | 15090 | 140 |
| S 030.000.100.20 D | 100 | 20 | 170.8 | 300.8 | 11490 | 15090 | 148 |
| S 030.000.200.20 D | 200 | 20 | 170.8 | 300.8 | 11490 | 15090 | 185 |
| S 030.000.400.20 D | 400 | 20 | 170.8 | 300.8 | 11490 | 15090 | 260 |
| S 030.000.200.28 D | 200 | 28 | 170.0 | 313.4 | 11490 | 15090 | 190 |
| S 030.000.400.44 D | 400 | 44 | 170.0 | 313.4 | 11490 | 15090 | 240 |
| S 050.000.050.06 D | 50 | 6 | 263.6 | 464.7 | 12590 | 18870 | 140 |
| S 050.000.070.12 D | 70 | 12 | 263.6 | 464.7 | 12590 | 18870 | 155 |
| S 050.000.100.12 D | 100 | 12 | 263.6 | 464.7 | 12590 | 18870 | 166 |
| S 050.000.200.12 D | 200 | 12 | 263.6 | 464.7 | 12590 | 18870 | 205 |
| S 050.000.400.12 D | 400 | 12 | 262.4 | 484.3 | 12590 | 18870 | 376 |
| S 050.000.100.20 D | 100 | 20 | 262.4 | 484.3 | 12590 | 18870 | 226 |
| S 050.000.200.20 D | 200 | 20 | 262.4 | 484.3 | 12590 | 18870 | 246 |
| S 050.000.400.20 D | 400 | 20 | 262.4 | 484.3 | 12590 | 18870 | 330 |
| S 050.000.300.30 D | 300 | 30 | 283.2 | 515.0 | 12590 | 18870 | 280 |
| S 050.000.400.40 D | 400 | 40 | 283.2 | 515.0 | 12590 | 18870 | 466 |

Type with suffix D: Power bypass ZHD with hydraulic end position cushioning as standard.

Dimensions in mm

TOX®-Powerpackage type S

Version 000, 10 bar, 10 – 515 kN

Dimensions

| Type | A | A ₂ | B | C | D | E | F ₁₇ | G | H | K | L | M | N | O | R | S | T | U | V _{g6} | W | *LF | **IV |
|--------------------|-----|----------------|------|----------|-----|------|-----------------|----|----|------|---------|----|----|-----|------|-------|-----|----|-----------------|---|-----|------|
| S 001.000.032.06 | 50 | – | 360 | 6xM6x11 | 40 | G1/8 | 30 | 10 | 16 | 24 | M12x1.5 | 12 | 14 | 86 | 11.5 | 88.5 | – | – | – | – | – | ■ |
| S 001.000.050.12 | 50 | – | 434 | 6xM6x11 | 40 | G1/8 | 30 | 10 | 16 | 24 | M12x1.5 | 12 | 14 | 86 | 11.5 | 106.5 | – | – | – | – | – | ■ |
| S 001.000.100.12 | 50 | – | 565 | 6xM6x11 | 40 | G1/8 | 30 | 10 | 16 | 24 | M12x1.5 | 12 | 14 | 86 | 11.5 | 156.5 | – | – | – | – | – | ■ |
| S 001.000.200.12 | 50 | – | 805 | 6xM6x11 | 40 | G1/8 | 30 | 10 | 16 | 24 | M12x1.5 | 12 | 14 | 86 | 11.5 | 256.5 | – | – | – | – | – | ■ |
| S 001.000.050.24 | 50 | 70 | 479 | 6xM6x11 | 40 | G1/8 | 30 | 10 | 16 | 24 | M12x1.5 | 12 | 14 | 102 | 11.5 | 106.5 | 197 | – | – | – | – | ■ |
| S 001.000.100.24 | 50 | 70 | 589 | 6xM6x11 | 40 | G1/8 | 30 | 10 | 16 | 24 | M12x1.5 | 12 | 14 | 102 | 11.5 | 156.5 | 297 | – | – | – | – | ■ |
| S 001.000.200.24 | 50 | 70 | 794 | 6xM6x11 | 40 | G1/8 | 30 | 10 | 16 | 24 | M12x1.5 | 12 | 14 | 102 | 11.5 | 256.5 | 497 | – | – | – | – | ■ |
| S 001.000.100.48 | 50 | 85 | 665 | 6xM6x11 | 40 | G1/8 | 30 | 10 | 16 | 24 | M12x1.5 | 12 | 14 | 116 | 11.5 | 156.5 | 297 | – | – | – | – | ■ |
| S 001.000.200.48 | 50 | 85 | 865 | 6xM6x11 | 40 | G1/8 | 30 | 10 | 16 | 24 | M12x1.5 | 12 | 14 | 116 | 11.5 | 256.5 | 497 | – | – | – | – | ■ |
| S 001.000.200.60 | 50 | 85 | 897 | 6xM6x11 | 40 | G1/8 | 30 | 10 | 16 | 24 | M12x1.5 | 12 | 14 | 116 | 11.5 | 256.5 | 497 | – | – | – | – | ■ |
| S 002.000.032.06 | 70 | – | 386 | 6xM8x12 | 54 | G1/4 | 40 | 10 | 20 | 26 | M16x1.5 | 15 | 17 | 105 | 13 | 98 | – | – | – | – | – | ■ |
| S 002.000.050.12 | 70 | – | 474 | 6xM8x12 | 54 | G1/4 | 40 | 10 | 20 | 26 | M16x1.5 | 15 | 17 | 105 | 13 | 116 | – | – | – | – | – | ■ |
| S 002.000.100.12 | 70 | – | 589 | 6xM8x12 | 54 | G1/4 | 40 | 10 | 20 | 26 | M16x1.5 | 15 | 17 | 105 | 13 | 166 | – | – | – | – | – | ■ |
| S 002.000.200.12 | 70 | – | 829 | 6xM8x12 | 54 | G1/4 | 40 | 10 | 20 | 26 | M16x1.5 | 15 | 17 | 105 | 13 | 266 | – | – | – | – | – | ■ |
| S 002.000.050.24 | 70 | 85 | 519 | 6xM8x12 | 54 | G1/4 | 40 | 10 | 20 | 26 | M16x1.5 | 15 | 17 | 116 | 13 | 116 | 210 | – | – | – | – | ■ |
| S 002.000.100.24 | 70 | 85 | 649 | 6xM8x12 | 54 | G1/4 | 40 | 10 | 20 | 26 | M16x1.5 | 15 | 17 | 116 | 13 | 166 | 310 | – | – | – | – | ■ |
| S 002.000.200.24 | 70 | 85 | 870 | 6xM8x12 | 54 | G1/4 | 40 | 10 | 20 | 26 | M16x1.5 | 15 | 17 | 116 | 13 | 266 | 510 | – | – | – | – | ■ |
| S 002.000.100.44 | 70 | 110 | 675 | 6xM8x12 | 54 | G1/4 | 40 | 10 | 20 | 26 | M16x1.5 | 15 | 17 | 165 | 13 | 166 | 310 | – | – | – | – | ■ |
| S 002.000.200.44 | 70 | 110 | 875 | 6xM8x12 | 54 | G1/4 | 40 | 10 | 20 | 26 | M16x1.5 | 15 | 17 | 165 | 13 | 266 | 510 | – | – | – | – | ■ |
| S 002.000.200.65 | 70 | 110 | 935 | 6xM8x12 | 54 | G1/4 | 40 | 10 | 20 | 26 | M16x1.5 | 15 | 17 | 165 | 13 | 266 | 510 | – | – | – | – | ■ |
| S 004.000.032.06 D | 85 | – | 449 | 6xM8x15 | 64 | G3/8 | 50 | 10 | 30 | 28.5 | M22x2 | 20 | 24 | 120 | 14 | 107 | – | – | 18 | 7 | – | ■ |
| S 004.000.050.12 D | 85 | – | 558 | 6xM8x15 | 64 | G3/8 | 50 | 10 | 30 | 28.5 | M22x2 | 20 | 24 | 120 | 14 | 125 | – | – | 18 | 7 | – | ■ |
| S 004.000.100.12 D | 85 | – | 679 | 6xM8x15 | 64 | G3/8 | 50 | 10 | 30 | 28.5 | M22x2 | 20 | 24 | 120 | 14 | 175 | – | – | 18 | 7 | – | ■ |
| S 004.000.200.12 D | 85 | – | 939 | 6xM8x15 | 64 | G3/8 | 50 | 10 | 30 | 28.5 | M22x2 | 20 | 24 | 120 | 14 | 275 | – | – | 18 | 7 | – | ■ |
| S 004.000.400.12 D | 90 | 110 | 1323 | 6xM8x15 | 64 | G3/8 | 50 | 10 | 30 | 28.5 | M22x2 | 20 | 24 | 165 | 14 | 475 | 926 | – | 18 | 7 | – | ■ |
| S 004.000.050.24 D | 90 | 110 | 591 | 6xM8x15 | 64 | G3/8 | 50 | 10 | 30 | 28.5 | M22x2 | 20 | 24 | 165 | 14 | 125 | 226 | – | 18 | 7 | – | ■ |
| S 004.000.100.24 D | 90 | 110 | 691 | 6xM8x15 | 64 | G3/8 | 50 | 10 | 30 | 28.5 | M22x2 | 20 | 24 | 165 | 14 | 175 | 326 | – | 18 | 7 | – | ■ |
| S 004.000.200.24 D | 90 | 110 | 926 | 6xM8x15 | 64 | G3/8 | 50 | 10 | 30 | 28.5 | M22x2 | 20 | 24 | 165 | 14 | 275 | 526 | – | 18 | 7 | – | ■ |
| S 004.000.100.44 D | 90 | 135 | 760 | 6xM8x15 | 64 | G3/8 | 50 | 10 | 30 | 28.5 | M22x2 | 20 | 24 | 176 | 14 | 175 | 326 | – | 18 | 7 | – | ■ |
| S 004.000.200.44 D | 90 | 135 | 960 | 6xM8x15 | 64 | G3/8 | 50 | 10 | 30 | 28.5 | M22x2 | 20 | 24 | 176 | 14 | 275 | 526 | – | 18 | 7 | – | ■ |
| S 004.000.400.44 D | 90 | 135 | 1380 | 6xM8x15 | 64 | G3/8 | 50 | 10 | 30 | 28.5 | M22x2 | 20 | 24 | 176 | 14 | 475 | 926 | – | 18 | 7 | – | ■ |
| S 004.000.200.65 D | 90 | 135 | 1059 | 6xM8x15 | 64 | G3/8 | 50 | 10 | 30 | 28.5 | M22x2 | 20 | 24 | 176 | 14 | 275 | 526 | – | 18 | 7 | – | ■ |
| S 004.000.400.65 D | 90 | 135 | 1479 | 6xM8x15 | 64 | G3/8 | 50 | 10 | 30 | 28.5 | M22x2 | 20 | 24 | 176 | 14 | 475 | 926 | – | 18 | 7 | – | ■ |
| S 008.000.032.06 D | 110 | – | 486 | 6xM10x16 | 88 | G1/2 | 70 | 10 | 45 | 35 | M30x2 | 25 | 36 | 165 | 15 | 115 | – | – | 26 | 7 | – | ■ |
| S 008.000.050.12 D | 110 | – | 611 | 6xM10x16 | 88 | G1/2 | 70 | 10 | 45 | 35 | M30x2 | 25 | 36 | 165 | 15 | 133 | – | – | 26 | 7 | – | ■ |
| S 008.000.100.12 D | 110 | – | 726 | 6xM10x16 | 88 | G1/2 | 70 | 10 | 45 | 35 | M30x2 | 25 | 36 | 165 | 15 | 183 | – | – | 26 | 7 | – | ■ |
| S 008.000.200.12 D | 110 | – | 964 | 6xM10x16 | 88 | G1/2 | 70 | 10 | 45 | 35 | M30x2 | 25 | 36 | 165 | 15 | 283 | – | – | 26 | 7 | – | ■ |
| S 008.000.400.12 D | 115 | 135 | 1409 | 6xM10x16 | 88 | G1/2 | 70 | 10 | 45 | 35 | M30x2 | 25 | 36 | 176 | 15 | 483 | 946 | – | 26 | 7 | – | ■ |
| S 008.000.050.24 D | 115 | 135 | 684 | 6xM10x16 | 88 | G1/2 | 70 | 10 | 45 | 35 | M30x2 | 25 | 36 | 176 | 15 | 133 | 251 | – | 26 | 7 | – | ■ |
| S 008.000.100.24 D | 115 | 135 | 794 | 6xM10x16 | 88 | G1/2 | 70 | 10 | 45 | 35 | M30x2 | 25 | 36 | 176 | 15 | 183 | 346 | – | 26 | 7 | – | ■ |
| S 008.000.200.24 D | 115 | 135 | 1024 | 6xM10x16 | 88 | G1/2 | 70 | 10 | 45 | 35 | M30x2 | 25 | 36 | 176 | 15 | 283 | 546 | – | 26 | 7 | – | ■ |
| S 008.000.100.48 D | 115 | 170 | 967 | 6xM10x16 | 88 | G1/2 | 70 | 10 | 45 | 35 | M30x2 | 25 | 36 | 290 | 15 | 183 | 346 | 22 | 26 | 7 | – | ■ |
| S 008.000.200.48 D | 115 | 170 | 1167 | 6xM10x16 | 88 | G1/2 | 70 | 10 | 45 | 35 | M30x2 | 25 | 36 | 290 | 15 | 283 | 546 | 22 | 26 | 7 | – | ■ |
| S 008.000.400.48 D | 115 | 170 | 1607 | 6xM10x16 | 88 | G1/2 | 70 | 10 | 45 | 35 | M30x2 | 25 | 36 | 290 | 15 | 483 | 946 | 22 | 26 | 7 | – | ■ |
| S 008.000.200.80 D | 115 | 200 | 1245 | 6xM10x16 | 88 | G1/2 | 70 | 10 | 45 | 35 | M30x2 | 25 | 36 | 320 | 15 | 283 | 546 | 30 | 26 | 7 | – | ■ |
| S 008.000.400.80 D | 115 | 200 | 1593 | 6xM10x16 | 88 | G1/2 | 70 | 10 | 45 | 35 | M30x2 | 25 | 36 | 320 | 15 | 483 | 946 | 30 | 26 | 7 | – | ■ |
| S 015.000.032.06 D | 135 | – | 532 | 6xM16x25 | 100 | G1/2 | 75 | 15 | 50 | 36 | M30x2 | 25 | 41 | 176 | 17.5 | 116.5 | – | – | 26 | 7 | – | ■ |
| S 015.000.050.12 D | 135 | – | 680 | 6xM16x25 | 100 | G1/2 | 75 | 15 | 50 | 36 | M30x2 | 25 | 41 | 176 | 17.5 | 134.5 | – | – | 26 | 7 | – | ■ |
| S 015.000.100.12 D | 135 | – | 805 | 6xM16x25 | 100 | G1/2 | 75 | 15 | 50 | 36 | M30x2 | 25 | 41 | 176 | 17.5 | 184.5 | – | – | 26 | 7 | – | ■ |
| S 015.000.200.12 D | 135 | – | 1062 | 6xM16x25 | 100 | G1/2 | 75 | 15 | 50 | 36 | M30x2 | 25 | 41 | 176 | 17.5 | 284.5 | – | – | 26 | 7 | – | ■ |
| S 015.000.400.12 D | 145 | 170 | 1643 | 6xM16x25 | 100 | G1/2 | 75 | 15 | 50 | 36 | M30x2 | 25 | 41 | 290 | 17.5 | 484.5 | 946 | 22 | 26 | 7 | – | ■ |
| S 015.000.050.24 D | 145 | 170 | 867 | 6xM16x25 | 100 | G1/2 | 75 | 15 | 50 | 36 | M30x2 | 25 | 41 | 290 | 17.5 | 134.5 | 246 | 22 | 26 | 7 | – | ■ |
| S 015.000.100.24 D | 145 | 170 | 967 | 6xM16x25 | 100 | G1/2 | 75 | 15 | 50 | 36 | M30x2 | 25 | 41 | 290 | 17.5 | 184.5 | 346 | 22 | 26 | 7 | – | ■ |

Type with suffix D: Power bypass ZHD with hydraulic end position cushioning as standard.

Dimensions in mm

*LF: Version with pneumatic spring. See page 2.

**IV: Integrated power stroke valve

TOX[®]-Powerpackage type S

Version 000, 10 bar, 10 – 515 kN

Dimensions

| Type | A | A ₂ | B | C | D | E | F ₁₇ | G | H | K | L | M | N | O | R | S | T | U | V _{g6} | W | *LF | **IV |
|--------------------|-----|----------------|------|----------|-----|------|-----------------|----|----|----|-------|----|----|-----|------|-------|-----|----|-----------------|---|-----|------|
| S 015.000.200.24 D | 145 | 170 | 1207 | 6xM16x25 | 100 | G1/2 | 75 | 15 | 50 | 36 | M30x2 | 25 | 41 | 290 | 17.5 | 284.5 | 546 | 22 | 26 | 7 | ■ | – |
| S 015.000.100.40 D | 145 | 200 | 1045 | 6xM16x25 | 100 | G1/2 | 75 | 15 | 50 | 36 | M30x2 | 25 | 41 | 320 | 17.5 | 184.5 | 346 | 30 | 26 | 7 | ■ | – |
| S 015.000.200.40 D | 145 | 200 | 1245 | 6xM16x25 | 100 | G1/2 | 75 | 15 | 50 | 36 | M30x2 | 25 | 41 | 320 | 17.5 | 284.5 | 546 | 30 | 26 | 7 | ■ | – |
| S 015.000.400.40 D | 145 | 200 | 1777 | 6xM16x25 | 100 | G1/2 | 75 | 15 | 50 | 36 | M30x2 | 25 | 41 | 320 | 17.5 | 484.5 | 946 | 30 | 26 | 7 | ■ | – |
| S 015.000.200.80 D | 145 | 200 | 1445 | 6xM16x25 | 100 | G1/2 | 75 | 15 | 50 | 36 | M30x2 | 25 | 41 | 320 | 17.5 | 284.5 | 546 | 30 | 26 | 7 | ■ | – |
| S 015.000.400.80 D | 145 | 200 | 2027 | 6xM16x25 | 100 | G1/2 | 75 | 15 | 50 | 36 | M30x2 | 25 | 41 | 320 | 17.5 | 484.5 | 946 | 30 | 26 | 7 | ■ | – |
| S 030.000.050.06 D | 170 | – | 788 | 6xM20x30 | 132 | G3/4 | 100 | 18 | 56 | 47 | M39x2 | 35 | 50 | 290 | 20 | 186 | – | 22 | – | – | ■ | – |
| S 030.000.070.12 D | 170 | – | 948 | 6xM20x30 | 132 | G3/4 | 100 | 18 | 56 | 47 | M39x2 | 35 | 50 | 290 | 20 | 206 | – | 22 | – | – | ■ | – |
| S 030.000.100.12 D | 170 | – | 1048 | 6xM20x30 | 132 | G3/4 | 100 | 18 | 56 | 47 | M39x2 | 35 | 50 | 290 | 20 | 236 | – | 22 | – | – | ■ | – |
| S 030.000.200.12 D | 170 | – | 1374 | 6xM20x30 | 132 | G3/4 | 100 | 18 | 56 | 47 | M39x2 | 35 | 50 | 290 | 20 | 336 | – | 22 | – | – | ■ | – |
| S 030.000.400.12 D | 200 | – | 1931 | 6xM20x30 | 132 | G3/4 | 100 | 18 | 56 | 47 | M39x2 | 35 | 50 | 320 | 20 | 536 | 987 | 30 | – | – | ■ | – |
| S 030.000.070.20 D | 200 | – | 1002 | 6xM20x30 | 132 | G3/4 | 100 | 18 | 56 | 47 | M39x2 | 35 | 50 | 320 | 20 | 206 | 327 | 30 | – | – | ■ | – |
| S 030.000.100.20 D | 200 | – | 1072 | 6xM20x30 | 132 | G3/4 | 100 | 18 | 56 | 47 | M39x2 | 35 | 50 | 320 | 20 | 236 | 387 | 30 | – | – | ■ | – |
| S 030.000.200.20 D | 200 | – | 1428 | 6xM20x30 | 132 | G3/4 | 100 | 18 | 56 | 47 | M39x2 | 35 | 50 | 320 | 20 | 336 | 587 | 30 | – | – | ■ | – |
| S 030.000.400.20 D | 200 | – | 2101 | 6xM20x30 | 132 | G3/4 | 100 | 18 | 56 | 47 | M39x2 | 35 | 50 | 320 | 20 | 536 | 987 | 30 | – | – | ■ | – |
| S 030.000.200.28 D | 190 | 267 | 1610 | 6xM20x30 | 132 | G3/4 | 100 | 18 | 56 | 47 | M39x2 | 35 | 50 | 470 | 20 | 336 | 587 | 16 | – | – | ■ | – |
| S 030.000.400.44 D | 190 | 267 | 1115 | 6xM20x30 | 132 | G3/4 | 100 | 18 | 56 | 47 | M39x2 | 35 | 50 | 470 | 20 | 536 | 987 | 16 | – | – | ■ | – |
| S 050.000.050.06 D | 200 | – | 827 | 8xM20x30 | 150 | G3/4 | 115 | 25 | 63 | 52 | M42x2 | 40 | 55 | 320 | 23 | 193 | – | 30 | – | – | ■ | – |
| S 050.000.070.12 D | 200 | – | 1010 | 8xM20x30 | 150 | G3/4 | 115 | 25 | 63 | 52 | M42x2 | 40 | 55 | 320 | 23 | 213 | – | 30 | – | – | ■ | – |
| S 050.000.100.12 D | 200 | – | 1122 | 8xM20x30 | 150 | G3/4 | 115 | 25 | 63 | 52 | M42x2 | 40 | 55 | 320 | 23 | 243 | – | 30 | – | – | ■ | – |
| S 050.000.200.12 D | 200 | – | 1495 | 8xM20x30 | 150 | G3/4 | 115 | 25 | 63 | 52 | M42x2 | 40 | 55 | 320 | 23 | 343 | – | 30 | – | – | ■ | – |
| S 050.000.400.12 D | 240 | 267 | 1871 | 8xM20x30 | 150 | G3/4 | 115 | 25 | 63 | 52 | M42x2 | 40 | 55 | 470 | 23 | 543 | 998 | 16 | – | – | ■ | – |
| S 050.000.100.20 D | 240 | 267 | 1051 | 8xM20x30 | 150 | G3/4 | 115 | 25 | 63 | 52 | M42x2 | 40 | 55 | 470 | 23 | 243 | 398 | 16 | – | – | ■ | – |
| S 050.000.200.20 D | 240 | 267 | 1361 | 8xM20x30 | 150 | G3/4 | 115 | 25 | 63 | 52 | M42x2 | 40 | 55 | 470 | 23 | 343 | 598 | 16 | – | – | ■ | – |
| S 050.000.400.20 D | 240 | 267 | 1971 | 8xM20x30 | 150 | G3/4 | 115 | 25 | 63 | 52 | M42x2 | 40 | 55 | 470 | 23 | 543 | 998 | 16 | – | – | ■ | – |
| S 050.000.300.30 D | 240 | 324 | 1623 | 8xM20x30 | 150 | G3/4 | 115 | 25 | 63 | 52 | M42x2 | 40 | 55 | 540 | 23 | 443 | 798 | 22 | – | – | ■ | – |
| S 050.000.400.40 D | 240 | 324 | 1968 | 8xM20x30 | 150 | G3/4 | 115 | 25 | 63 | 52 | M42x2 | 40 | 55 | 540 | 23 | 543 | 998 | 22 | – | – | ■ | – |

Type with suffix D: Power bypass ZHD with hydraulic end position cushioning as standard.

Dimensions in mm

*LF: Version with pneumatic spring. See page 2.

**IV: Integrated power stroke valve

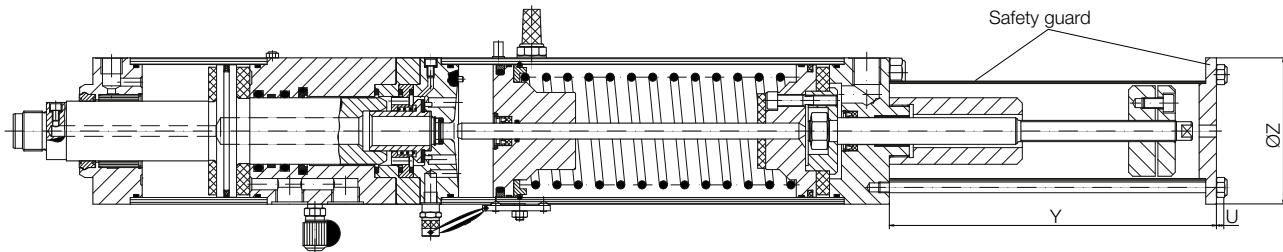
Pneumatic connection sizes

| Connection | Nominal sizes/Inside-Ø hose |
|------------|-----------------------------|
| G1/4" | 7 - 8 mm |
| G3/8" | 8 - 9 mm |
| G1/2" | 10 - 11 mm |
| G3/4" | 19 - 20 mm |
| G1" | 25 mm |
| G1 1/2" | 38 mm |

Note: For a trouble-free operation, the connection size and nominal size must be maintained throughout the compressed air supply.

TOX®-Powerpackage type S

Version 050, 10 bar, with power stroke adjustment 10 – 1000 kN



Function:

The intensifier piston of the TOX®-Powerpackage has a spindle attached to it. On this spindle there is an adjusting nut, which accurately limits the stroke of the intensifier piston and hence the power stroke, irrespective of the fast approach stroke.

Applications:

Insertion of wear marks with tolerances within the hundredth of a millimetre range. Stamping of parts with varying heights or a large height tolerance at a constant stamping depth. Pressing in of bushes with an accurately defined depth.

Note:

Technical data are available on request.

Advantage:

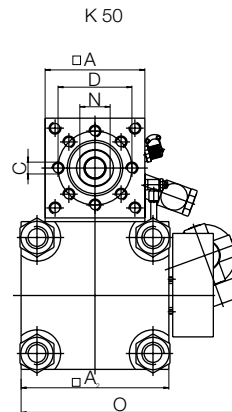
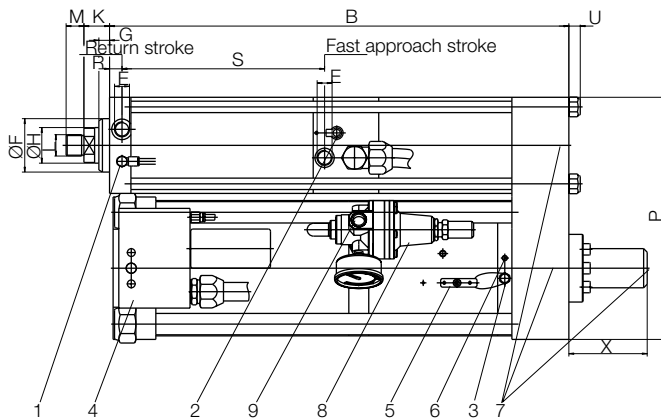
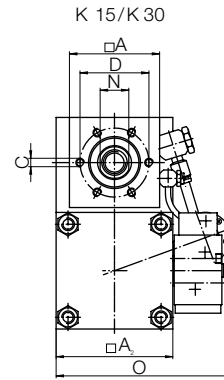
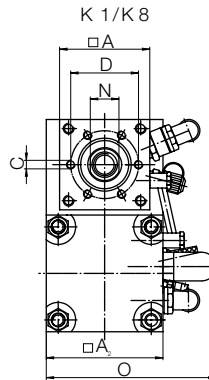
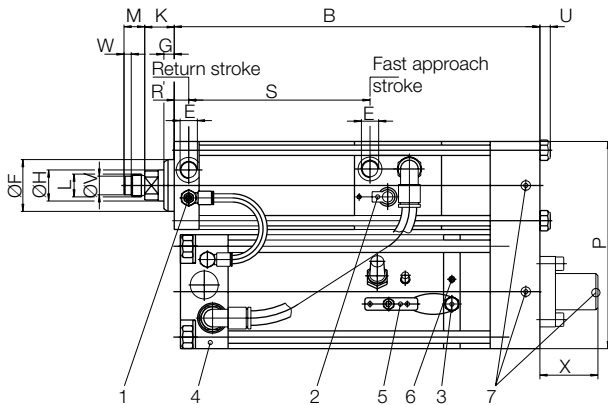
The adjustment or limitation relates to the power stroke only, i.e. directly to the application, and not to the approach stroke. This means that the height differences and tolerances of the component are irrelevant. The repeating accuracy is extremely exact. Patented power bypass and hydraulic end position cushioning are standard features of all TOX®-Powerpackages type S 4 to S 170.

Quality/monitoring:

Due to the intensification ratio, the intensifier piston and the adjustment spindle travel proportionally to the working stroke travel (ratio approximately 1 : 10). The working stroke travel can be monitored very accurately with a travel sensor on the adjustment spindle.

TOX[®]-Powerpackage type K

Version 030, 6 bar, compact design, 10 – 395 kN



- 1 Control throttle X
- 2 High-pressure measuring hose
- 3 Oil filling nipple
- 4 Power stroke valve
- 5 Bleed plate
- 6 Oil level indicator
- 7 Bleed screw
- 8 Pneumatic spring (LF)
- 9 Pneumatic spring connection (permanent pressure)

Forces

| Type | Total stroke | Incl. Power stroke | At compressed air 6 bar | | | Weight kg |
|------------------|--------------|--------------------|-------------------------|-----------------------|--------------------|-----------|
| | | | max. Press force kN | Fast approach force N | Retracting force N | |
| K 001.030.100.06 | 100 | 6 | 10.7 | 690 | 730 | 10 |
| K 001.030.200.10 | 200 | 10 | 10.7 | 690 | 730 | 12 |
| K 002.030.100.05 | 100 | 5 | 15.7 | 1420 | 1480 | 18 |
| K 002.030.200.12 | 200 | 12 | 15.7 | 1420 | 1480 | 27 |
| K 004.030.100.05 | 100 | 5 | 38.5 | 1840 | 1950 | 32 |
| K 004.030.200.10 | 200 | 10 | 38.5 | 1840 | 1950 | 44 |
| K 008.030.100.05 | 100 | 5 | 69.0 | 3210 | 3270 | 55 |
| K 008.030.200.10 | 200 | 10 | 69.0 | 3210 | 3270 | 67 |
| K 015.030.100.10 | 100 | 10 | 129.6 | 4770 | 5180 | 158 |
| K 015.030.200.10 | 200 | 10 | 129.6 | 4770 | 5180 | 162 |
| K 030.030.200.10 | 200 | 10 | 320.8 | 7080 | 8740 | 288 |
| K 050.030.100.10 | 100 | 10 | 394.9 | 7850 | 10830 | 450 |
| K 050.030.200.10 | 200 | 10 | 394.9 | 7850 | 10830 | 465 |

Dimensions in mm

TOX®-Powerpackage type K

Version 030, 6 bar, compact design, 10 – 395 kN

Dimensions

| Type | A | A ₂ | B | C | D | E | F ₁₇ | G | H | K | L | M | N | O | P | R | S | U | V _{g6} | W | X | *LF | **IV |
|------------------|-----|----------------|-----|----------|-----|------|-----------------|----|----|------|---------|----|----|-----|-----|------|-------|----|-----------------|---|-----|-----|------|
| K 001.030.100.06 | 50 | 70 | 322 | 6xM 6x11 | 40 | G1/8 | 30 | 10 | 16 | 24 | M12x1.5 | 12 | 14 | 106 | 124 | 11.5 | 156.5 | 6 | - | - | 23 | - | ■ |
| K 001.030.200.10 | 50 | 70 | 514 | 6xM 6x11 | 40 | G1/8 | 30 | 10 | 16 | 24 | M12x1.5 | 12 | 14 | 106 | 124 | 11.5 | 256.5 | 6 | - | - | - | - | ■ |
| K 002.030.100.05 | 70 | 85 | 327 | 6xM 8x12 | 54 | G1/4 | 40 | 10 | 20 | 26 | M16x1.5 | 15 | 17 | 116 | 160 | 13 | 166 | 8 | - | - | 25 | - | ■ |
| K 002.030.200.12 | 70 | 85 | 527 | 6xM 8x12 | 54 | G1/4 | 40 | 10 | 20 | 26 | M16x1.5 | 15 | 17 | 116 | 160 | 13 | 266 | 8 | - | - | - | - | ■ |
| K 004.030.100.05 | 85 | 110 | 353 | 6xM 8x15 | 64 | G3/8 | 50 | 10 | 30 | 28.5 | M22x2 | 20 | 24 | 165 | 200 | 14 | 175 | 10 | 18 | 7 | 23 | - | ■ |
| K 004.030.200.10 | 85 | 110 | 553 | 6xM 8x15 | 64 | G3/8 | 50 | 10 | 30 | 28.5 | M22x2 | 20 | 24 | 165 | 200 | 14 | 275 | 10 | 18 | 7 | - | - | ■ |
| K 008.030.100.05 | 110 | 135 | 365 | 6xM10x16 | 88 | G1/2 | 70 | 10 | 45 | 35 | M30x2 | 25 | 36 | 176 | 250 | 15 | 183 | 12 | 26 | 7 | 56 | - | ■ |
| K 008.030.200.10 | 110 | 135 | 565 | 6xM10x16 | 88 | G1/2 | 70 | 10 | 45 | 35 | M30x2 | 25 | 36 | 176 | 250 | 17 | 283 | 12 | 26 | 7 | 30 | - | ■ |
| K 015.030.100.10 | 135 | 200 | 585 | 6xM16x25 | 100 | G1/2 | 75 | 15 | 50 | 36 | M30x2 | 25 | 41 | 320 | 340 | 17.5 | 184.5 | 16 | 26 | 7 | 110 | ■ | - |
| K 015.030.200.10 | 135 | 200 | 645 | 6xM16x25 | 100 | G1/2 | 75 | 15 | 50 | 36 | M30x2 | 25 | 41 | 320 | 340 | 17.5 | 284.5 | 16 | 26 | 7 | 110 | ■ | - |
| K 030.030.200.10 | 170 | 267 | 740 | 6xM20x30 | 132 | G3/4 | 100 | 18 | 56 | 47 | M39x2 | 35 | 50 | 470 | 445 | 20 | 336 | 22 | - | - | 175 | ■ | - |
| K 050.030.100.10 | 200 | 324 | 715 | 8xM20x30 | 150 | G3/4 | 115 | 25 | 63 | 52 | M42x2 | 40 | 55 | 540 | 530 | 23 | 243 | 30 | - | - | 140 | ■ | - |
| K 050.030.200.10 | 200 | 324 | 785 | 8xM20x30 | 150 | G3/4 | 115 | 25 | 63 | 52 | M42x2 | 40 | 55 | 540 | 530 | 23 | 343 | 30 | - | - | 160 | ■ | - |

*LF: Version with pneumatic spring. See page 2.

Dimensions in mm

**IV: Integrated power stroke valve

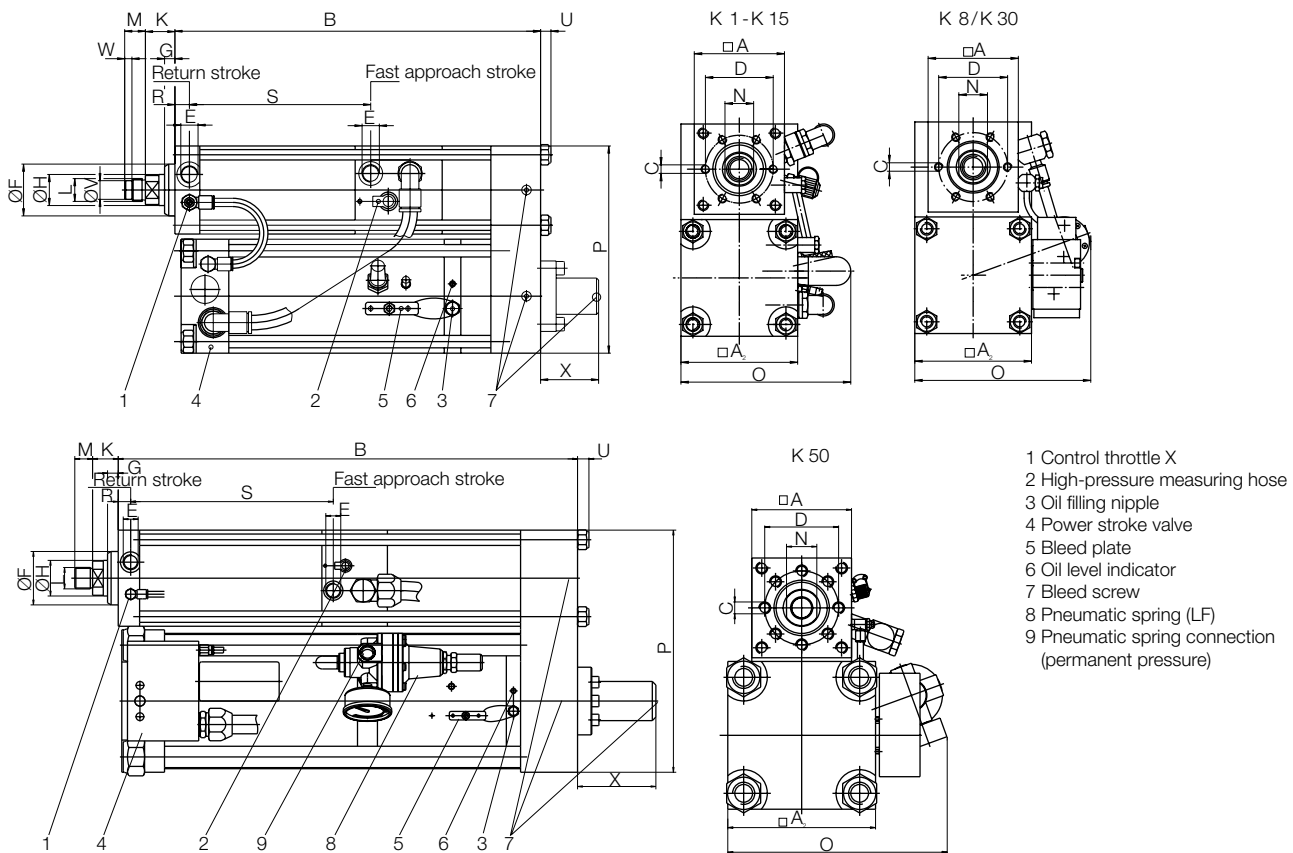
Pneumatic connection sizes

| Connection | Nominal sizes /Inside-Ø hose |
|------------|------------------------------|
| G1/4" | 7 - 8 mm |
| G3/8" | 8 - 9 mm |
| G1/2" | 10 - 11 mm |
| G3/4" | 19 - 20 mm |
| G1" | 25 mm |
| G1 1/2" | 38 mm |

Note: For a trouble-free operation, the connection size and nominal size must be maintained throughout the compressed air supply.

TOX®-Powerpackage type K

Version 000, 10 bar, compact design, 10 – 515 kN



Forces

| Type | Total stroke | Incl. Power stroke | At compressed air 6 bar | | At compressed air 10 bar | | Weight kg |
|------------------|--------------|--------------------|-------------------------|---------------------|--------------------------|--------------------|-----------|
| | | | max. Press force kN | max. Press force kN | Fast approach force N | Retracting force N | |
| K 001.000.050.05 | 50 | 5 | 5.6 | 9.8 | 1150 | 1230 | 5 |
| K 001.000.100.10 | 100 | 10 | 5.6 | 9.8 | 1150 | 1230 | 8 |
| K 001.000.150.20 | 150 | 20 | 7.1 | 12.6 | 1150 | 1230 | 13 |
| K 001.000.250.20 | 250 | 20 | 7.1 | 12.5 | 1150 | 1230 | 13 |
| K 002.000.050.04 | 50 | 4 | 11.5 | 20.3 | 2370 | 2500 | 10 |
| K 002.000.100.12 | 100 | 12 | 11.5 | 20.0 | 2370 | 2490 | 18 |
| K 002.000.200.24 | 200 | 24 | 11.5 | 20.0 | 2370 | 2490 | 26 |
| K 002.000.300.20 | 300 | 20 | 11.5 | 20.0 | 2370 | 2490 | 33 |
| K 004.000.100.10 | 100 | 10 | 23.2 | 40.2 | 3070 | 3280 | 32 |
| K 004.000.300.20 | 300 | 20 | 23.2 | 40.2 | 3070 | 3280 | 54 |
| K 004.000.300.50 | 300 | 50 | 23.2 | 40.2 | 3070 | 3280 | 63 |
| K 008.000.100.10 | 100 | 10 | 44.4 | 77.0 | 5330 | 5520 | 45 |
| K 008.000.300.20 | 300 | 20 | 44.4 | 77.0 | 5330 | 5520 | 100 |
| K 008.000.300.50 | 300 | 50 | 44.4 | 77.0 | 5410 | 5440 | 135 |
| K 015.000.100.10 | 100 | 10 | 85.0 | 149.5 | 7810 | 8890 | 148 |
| K 015.000.300.10 | 300 | 10 | 85.0 | 149.5 | 7810 | 8890 | 90 |
| K 015.000.100.20 | 100 | 20 | 85.0 | 149.5 | 7810 | 8890 | 158 |
| K 015.000.300.20 | 300 | 20 | 85.0 | 149.5 | 7810 | 8890 | 130 |
| K 015.000.100.40 | 100 | 40 | 84.6 | 155.7 | 7810 | 8890 | 150 |
| K 015.000.300.40 | 300 | 40 | 84.6 | 155.7 | 7810 | 8890 | 269 |
| K 030.000.100.10 | 100 | 10 | 170.0 | 313.4 | 11490 | 15090 | 238 |
| K 030.000.300.10 | 300 | 10 | 170.0 | 313.4 | 11490 | 15090 | 290 |
| K 030.000.300.20 | 300 | 20 | 170.0 | 313.4 | 11490 | 15090 | 310 |
| K 030.000.300.40 | 300 | 40 | 170.0 | 313.4 | 11490 | 15090 | 345 |
| K 050.000.100.10 | 100 | 10 | 283.2 | 515.0 | 12590 | 18870 | 400 |

Dimensions in mm

TOX®-Powerpackage type K

Version 000, 10 bar, compact design, 10 – 515 kN

Forces

| Type | Total stroke | Incl. Power stroke | At compressed air 6 bar | | At compressed air 10 bar | | At compressed air 10 bar | | Weight kg |
|------------------|--------------|--------------------|-------------------------|---------------------|--------------------------|--------------------|--------------------------|-----|-----------|
| | | | max. Press force kN | max. Press force kN | Fast approach force N | Retracting force N | | | |
| K 050.000.300.10 | 300 | 10 | 283.2 | 515.0 | 12590 | 18870 | | 460 | |
| K 050.000.100.20 | 100 | 20 | 283.2 | 515.0 | 12590 | 18870 | | 464 | |
| K 050.000.300.20 | 300 | 20 | 283.2 | 515.0 | 12590 | 18870 | | 500 | |
| K 050.000.100.40 | 100 | 40 | 283.2 | 515.0 | 12590 | 18870 | | 455 | |
| K050.000.300.40 | 300 | 40 | 283.2 | 515.0 | 12590 | 18870 | | 550 | |

Dimensions in mm

Dimensions

| Type | A | A ₂ | B | C | D | E | F ₁₇ | G | H | K | L | M | N | O | P | R | S | U | V _{g6} | W | X | *LF | **IV |
|------------------|-----|----------------|------|----------|-----|------|-----------------|----|----|------|---------|----|----|-----|-----|------|-------|----|-----------------|---|-----|-----|------|
| K 001.000.050.05 | 50 | – | 219 | 6xM6x11 | 40 | G1/8 | 30 | 10 | 16 | 24 | M12x1.5 | 12 | 14 | 86 | 104 | 11.5 | 106.5 | – | – | – | 17 | – | ■ |
| K 001.000.100.10 | 50 | – | 319 | 6xM6x11 | 40 | G1/8 | 30 | 10 | 16 | 24 | M12x1.5 | 12 | 14 | 86 | 104 | 11.5 | 156.5 | – | – | – | 30 | – | ■ |
| K 001.000.150.20 | 50 | 70 | 414 | 6xM6x11 | 40 | G1/8 | 30 | 10 | 16 | 24 | M12x1.5 | 12 | 14 | 106 | 124 | 11.5 | 206.5 | 6 | – | – | – | – | ■ |
| K 001.000.250.20 | 50 | 70 | 614 | 6xM6x11 | 40 | G1/8 | 30 | 10 | 16 | 24 | M12x1.5 | 12 | 14 | 116 | 124 | 11.5 | 306.5 | 6 | – | – | – | – | ■ |
| K 002.000.050.04 | 70 | – | 227 | 6xM8x12 | 54 | G1/4 | 40 | 10 | 20 | 26 | M16x1.5 | 15 | 17 | 106 | 145 | 13 | 116 | 8 | – | – | 23 | – | ■ |
| K 002.000.100.12 | 70 | 85 | 327 | 6xM8x12 | 54 | G1/4 | 40 | 10 | 20 | 26 | M16x1.5 | 15 | 17 | 116 | 160 | 13 | 166 | 8 | – | – | 25 | – | ■ |
| K 002.000.200.24 | 70 | 85 | 527 | 6xM8x12 | 54 | G1/4 | 40 | 10 | 20 | 26 | M16x1.5 | 15 | 17 | 116 | 160 | 13 | 266 | 8 | – | – | – | – | ■ |
| K 002.000.300.20 | 70 | 85 | 727 | 6xM8x12 | 54 | G1/4 | 40 | 10 | 20 | 26 | M16x1.5 | 15 | 17 | 116 | 160 | 13 | 366 | 8 | – | – | – | – | ■ |
| K 004.000.100.10 | 85 | 110 | 353 | 6xM8x15 | 64 | G3/8 | 50 | 10 | 30 | 28.5 | M22x2 | 20 | 24 | 165 | 200 | 14 | 175 | 10 | 18 | 7 | 23 | – | ■ |
| K 004.000.300.20 | 85 | 110 | 753 | 6xM 8x15 | 64 | G3/8 | 50 | 10 | 30 | 28.5 | M22x2 | 20 | 24 | 165 | 200 | 14 | 375 | 10 | 18 | 7 | – | – | ■ |
| K 004.000.300.50 | 85 | 135 | 759 | 6xM 8x15 | 64 | G3/8 | 50 | 10 | 30 | 28.5 | M22x2 | 20 | 24 | 176 | 225 | 14 | 375 | 10 | 18 | 7 | – | – | ■ |
| K 008.000.100.10 | 110 | 135 | 365 | 6xM10x16 | 88 | G1/2 | 70 | 10 | 45 | 35 | M30x2 | 25 | 36 | 176 | 250 | 15 | 183 | 12 | 26 | 7 | 56 | – | ■ |
| K 008.000.300.20 | 110 | 135 | 765 | 6xM10x16 | 88 | G1/2 | 70 | 10 | 45 | 35 | M30x2 | 25 | 36 | 176 | 250 | 15 | 383 | 12 | 26 | 7 | – | – | ■ |
| K 008.000.300.50 | 110 | 170 | 765 | 6xM10x16 | 88 | G1/2 | 70 | 10 | 45 | 35 | M30x2 | 25 | 36 | 290 | 285 | 15 | 383 | 12 | 26 | 7 | 143 | – | ■ |
| K 015.000.100.10 | 135 | 200 | 525 | 6xM16x25 | 100 | G1/2 | 75 | 15 | 50 | 36 | M30x2 | 25 | 41 | 320 | 340 | 17.5 | 184.5 | 16 | 26 | 7 | 40 | – | ■ |
| K 015.000.300.10 | 135 | 200 | 785 | 6xM16x25 | 100 | G1/2 | 75 | 15 | 50 | 36 | M30x2 | 25 | 41 | 320 | 340 | 17.5 | 384.5 | 16 | 26 | 7 | 26 | – | ■ |
| K 015.000.100.20 | 135 | 200 | 585 | 6xM16x25 | 100 | G1/2 | 75 | 15 | 50 | 36 | M30x2 | 25 | 41 | 320 | 340 | 17.5 | 184.5 | 16 | 26 | 7 | 110 | – | ■ |
| K 015.000.300.20 | 135 | 200 | 785 | 6xM16x25 | 100 | G1/2 | 75 | 15 | 50 | 36 | M30x2 | 25 | 41 | 320 | 340 | 17.5 | 384.5 | 16 | 26 | 7 | 105 | – | ■ |
| K 015.000.100.40 | 135 | 267 | 670 | 6xM16x25 | 100 | G1/2 | 75 | 15 | 50 | 36 | M30x2 | 25 | 41 | 470 | 410 | 17.5 | 184.5 | 16 | 26 | 7 | 150 | – | ■ |
| K 015.000.300.40 | 135 | 267 | 785 | 6xM16x25 | 100 | G1/2 | 75 | 15 | 50 | 36 | M30x2 | 25 | 41 | 470 | 410 | 17.5 | 384.5 | 16 | 26 | 7 | 100 | – | ■ |
| K 030.000.100.10 | 170 | 267 | 585 | 6xM20x30 | 132 | G3/4 | 100 | 18 | 56 | 47 | M39x2 | 35 | 50 | 470 | 445 | 20 | 236 | 22 | – | – | 45 | – | ■ |
| K 030.000.300.10 | 170 | 267 | 840 | 6xM20x30 | 132 | G3/4 | 100 | 18 | 56 | 47 | M39x2 | 35 | 50 | 470 | 445 | 20 | 436 | 22 | – | – | 30 | – | ■ |
| K 030.000.300.20 | 170 | 267 | 840 | 6xM20x30 | 132 | G3/4 | 100 | 18 | 56 | 47 | M39x2 | 35 | 50 | 470 | 445 | 20 | 436 | 22 | – | – | 82 | – | ■ |
| K 030.000.300.40 | 170 | 267 | 940 | 6xM20x30 | 132 | G3/4 | 100 | 18 | 56 | 47 | M39x2 | 35 | 50 | 470 | 445 | 20 | 436 | 22 | – | – | 310 | – | ■ |
| K 050.000.100.10 | 200 | 324 | 635 | 8xM20x30 | 150 | G3/4 | 115 | 25 | 63 | 52 | M42x2 | 40 | 55 | 540 | 530 | 23 | 243 | 30 | – | – | 50 | – | ■ |
| K 050.000.300.10 | 200 | 324 | 855 | 8xM20x30 | 150 | G3/4 | 115 | 25 | 63 | 52 | M42x2 | 40 | 55 | 540 | 530 | 23 | 443 | 30 | – | – | 80 | – | ■ |
| K 050.000.100.20 | 200 | 324 | 715 | 8xM20x30 | 150 | G3/4 | 115 | 25 | 63 | 52 | M42x2 | 40 | 55 | 540 | 530 | 23 | 243 | 30 | – | – | 140 | – | ■ |
| K 050.000.300.20 | 200 | 324 | 855 | 8xM20x30 | 150 | G3/4 | 115 | 25 | 63 | 52 | M42x2 | 40 | 55 | 540 | 530 | 23 | 443 | 30 | – | – | 210 | – | ■ |
| K 050.000.100.40 | 200 | 324 | 875 | 8xM20x30 | 150 | G3/4 | 115 | 25 | 63 | 52 | M42x2 | 40 | 55 | 540 | 530 | 23 | 243 | 30 | – | – | 310 | – | ■ |
| K 050.000.300.40 | 200 | 324 | 1015 | 8xM20x30 | 150 | G3/4 | 115 | 25 | 63 | 52 | M42x2 | 40 | 55 | 540 | 530 | 23 | 443 | 30 | – | – | 340 | – | ■ |

*LF: Version with pneumatic spring. See page 2.

Dimensions in mm

**IV: Integrated power stroke valve

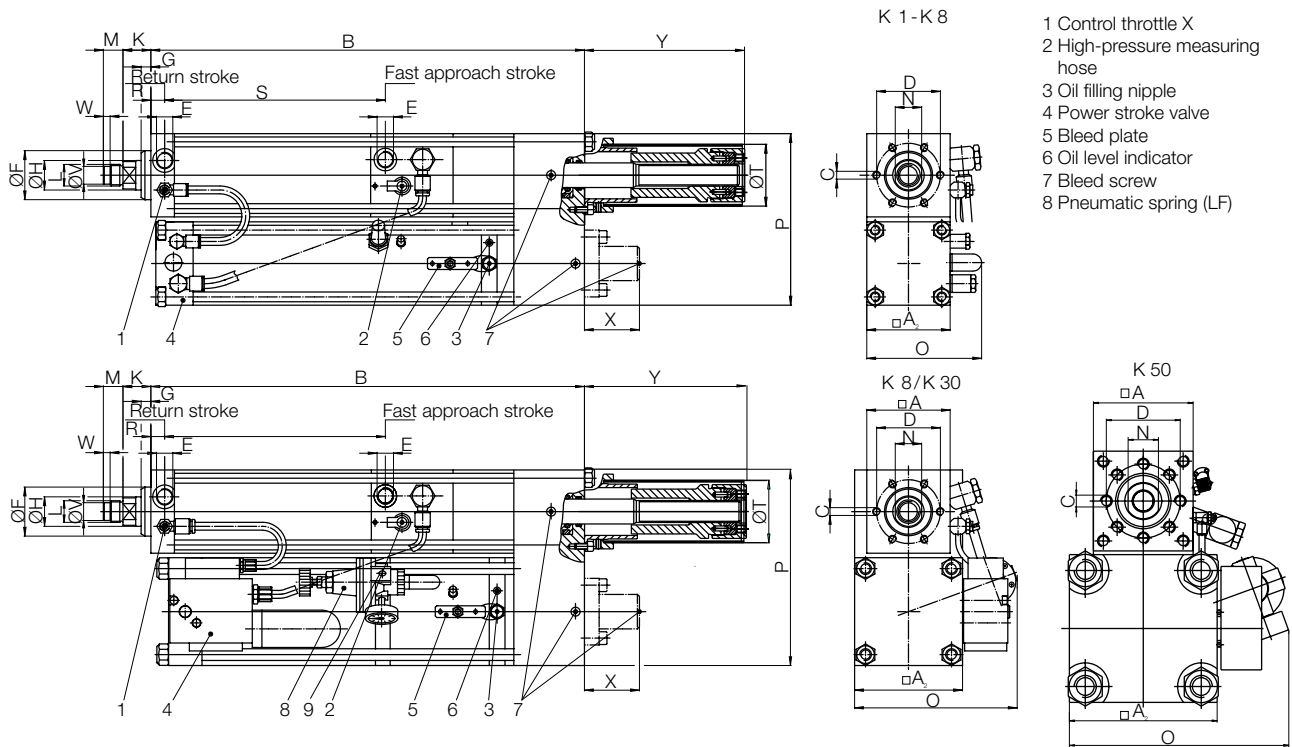
Pneumatic connection sizes

| Connection | Nominal sizes/Inside-Ø hose |
|------------|-----------------------------|
| G1/4" | 7 - 8 mm |
| G3/8" | 8 - 9 mm |
| G1/2" | 10 - 11 mm |
| G3/4" | 19 - 20 mm |
| G1" | 25 mm |
| G1 1/2" | 38 mm |

Note: For a trouble-free operation, the connection size and nominal size must be maintained throughout the compressed air supply.

TOX[®]-Powerpackage type K

Version 051, 10 bar, compact design with total stroke adjustment,
10 – 500 kN



Stroke length and hence LDC position adjustable. For pulling operations a special version is available.

Forces

| Type | Total stroke | Incl. Power stroke | At compressed air 6 bar | | At compressed air 10 bar | | Weight |
|------------------|--------------|--------------------|-------------------------|------------------|--------------------------|------------------|--------|
| | | | max. Press force | max. Press force | Fast approach force | Retracting force | |
| | | | kN | kN | N | N | kg |
| K 001.051.050.05 | 50 | 5 | 5.1 | 9.0 | 990 | 1230 | 7 |
| K 001.051.100.15 | 100 | 15 | 6.5 | 11.6 | 990 | 1230 | 13 |
| K 001.051.200.20 | 200 | 20 | 6.5 | 11.6 | 990 | 1230 | 16 |
| K 001.051.250.40 | 250 | 40 | 6.5 | 11.4 | 990 | 1230 | 23 |
| K 002.051.050.04 | 50 | 4 | 11.3 | 20.0 | 2080 | 2500 | 14 |
| K 002.051.100.12 | 100 | 12 | 11.3 | 19.7 | 2090 | 2490 | 22 |
| K 002.051.200.24 | 200 | 24 | 11.3 | 19.7 | 2090 | 2490 | 34 |
| K 002.051.300.50 | 300 | 50 | 11.5 | 20.0 | 2080 | 2490 | 50 |
| K 004.051.100.10 | 100 | 10 | 24.6 | 42.7 | 2550 | 3280 | 38 |
| K 004.051.200.20 | 200 | 20 | 24.6 | 42.7 | 2550 | 3280 | 53 |
| K 004.051.400.20 | 400 | 20 | 24.6 | 42.7 | 2550 | 3280 | 75 |
| K 004.051.400.50 | 400 | 50 | 24.6 | 42.7 | 2560 | 3270 | 90 |
| K 008.051.100.10 | 100 | 10 | 45.2 | 78.4 | 4550 | 5520 | 66 |
| K 008.051.200.10 | 200 | 10 | 45.2 | 78.4 | 4540 | 5530 | 71 |
| K 008.051.200.20 | 200 | 20 | 45.2 | 78.4 | 4550 | 5520 | 94 |
| K 008.051.400.20 | 400 | 20 | 45.2 | 78.4 | 4550 | 5520 | 128 |
| K 008.051.400.50 | 400 | 50 | 45.2 | 78.4 | 4640 | 5430 | 168 |
| K 015.051.100.10 | 100 | 10 | 88.9 | 156.6 | 6180 | 8860 | 160 |
| K 015.051.200.10 | 200 | 10 | 88.9 | 156.6 | 6180 | 8860 | 177 |
| K 015.051.400.10 | 400 | 10 | 88.9 | 156.6 | 6180 | 8860 | 207 |
| K 015.051.100.20 | 100 | 20 | 88.9 | 156.6 | 6180 | 8860 | 171 |
| K 015.051.200.20 | 200 | 20 | 88.9 | 156.6 | 6180 | 8860 | 181 |
| K 015.051.400.20 | 400 | 20 | 88.9 | 156.6 | 6180 | 8860 | 230 |

Dimensions in mm

TOX®-Powerpackage type K

Version 051, 10 bar, compact design with total stroke adjustment,
10 – 500 kN

Forces

| Type | Total stroke | Incl. Power stroke | At compressed air 6 bar | At compressed air 10 bar | At compressed air 10 bar | | Weight kg |
|------------------|--------------|-----------------------|-------------------------|--------------------------|--------------------------|-----------------------|--------------|
| | | | max. Press force kN | max. Press force kN | Fast approach force N | Retracting force N | |
| K 015.051.100.40 | 100 | 40 | 88.5 | 163.2 | 6180 | 8860 | 237 |
| K 015.051.200.40 | 200 | 40 | 88.5 | 163.2 | 6180 | 8860 | 259 |
| K 015.051.400.40 | 400 | 40 | 88.5 | 163.2 | 6180 | 8860 | 305 |
| K 030.051.100.10 | 100 | 10 | 162.6 | 299.8 | 9990 | 15120 | 288 |
| K 030.051.200.10 | 200 | 10 | 162.6 | 299.8 | 9990 | 15120 | 308 |
| K 030.051.400.10 | 400 | 10 | 162.6 | 299.8 | 9990 | 15120 | 398 |
| K 030.051.200.20 | 200 | 20 | 162.6 | 299.8 | 9990 | 15120 | 331 |
| K 030.051.400.20 | 400 | 20 | 162.6 | 299.8 | 9990 | 15120 | 440 |
| K 030.051.200.40 | 200 | 40 | 162.6 | 299.8 | 9990 | 15120 | 328 |
| K 030.051.400.40 | 400 | 40 | 162.6 | 299.8 | 9990 | 15120 | 384 |
| K 050.051.100.10 | 100 | 10 | 277.1 | 504.1 | 9770 | 18890 | 474 |
| K 050.051.300.10 | 300 | 10 | 277.1 | 504.1 | 9770 | 18890 | 485 |
| K 050.051.100.20 | 100 | 20 | 277.1 | 504.1 | 9770 | 18890 | 509 |
| K 050.051.300.20 | 300 | 20 | 277.1 | 504.1 | 9770 | 18890 | 552 |
| K 050.051.100.40 | 100 | 40 | 277.1 | 504.1 | 9770 | 18890 | – |
| K 050.051.300.40 | 300 | 40 | 277.1 | 504.1 | 9770 | 18890 | – |

Dimensions in mm

TOX®-Powerpackage type K

Version 051, 10 bar, compact design with total stroke adjustment,
10 – 500 kN

Dimensions

| Type | A | A ₁ | B | C | D | E | F _r | G | H | K | L | M | N | O | P | R | S | T | V _g | W | X | Y | *LF | **IV |
|------------------|-----|----------------|------|----------|-----|------|----------------|----|----|------|---------|----|----|-----|-----|------|-------|-----|----------------|---|-----|-----|-----|------|
| K 001.051.050.05 | 50 | – | 241 | 6xM 6x11 | 40 | G1/8 | 30 | 10 | 16 | 24 | M12x1.5 | 12 | 14 | 86 | 104 | 11.5 | 106.5 | 40 | – | – | – | 146 | – | ■ |
| K 001.051.100.15 | 50 | 70 | 341 | 6xM 6x11 | 40 | G1/8 | 30 | 10 | 16 | 24 | M12x1.5 | 12 | 14 | 106 | 124 | 11.5 | 156.5 | 40 | – | – | – | 246 | – | ■ |
| K 001.051.200.20 | 50 | 70 | 541 | 6xM 6x11 | 40 | G1/8 | 30 | 10 | 16 | 24 | M12x1.5 | 12 | 14 | 106 | 124 | 11.5 | 256.5 | 40 | – | – | – | 446 | – | ■ |
| K 001.051.250.40 | 50 | 85 | 641 | 6xM 6x11 | 40 | G1/8 | 30 | 10 | 16 | 24 | M12x1.5 | 12 | 14 | 116 | 140 | 11.5 | 306.5 | 40 | – | – | – | 546 | – | ■ |
| K 002.051.050.04 | 70 | – | 266 | 6xM 8x12 | 54 | G1/4 | 40 | 10 | 20 | 26 | M16x1.5 | 15 | 17 | 106 | 145 | 13 | 116 | 63 | – | – | – | 161 | – | ■ |
| K 002.051.100.12 | 70 | 85 | 366 | 6xM 8x12 | 54 | G1/4 | 40 | 10 | 20 | 26 | M16x1.5 | 15 | 17 | 116 | 160 | 13 | 166 | 63 | – | – | – | 261 | – | ■ |
| K 002.051.200.24 | 70 | 85 | 566 | 6xM 8x12 | 54 | G1/4 | 40 | 10 | 20 | 26 | M16x1.5 | 15 | 17 | 116 | 160 | 13 | 266 | 63 | – | – | – | 461 | – | ■ |
| K 002.051.300.50 | 70 | 110 | 766 | 6xM 8x12 | 54 | G1/4 | 40 | 10 | 20 | 26 | M16x1.5 | 15 | 17 | 165 | 185 | 13 | 366 | 63 | – | – | – | 661 | – | ■ |
| K 004.051.100.10 | 85 | 110 | 377 | 6xM 8x15 | 64 | G3/8 | 50 | 10 | 30 | 28.5 | M22x2 | 20 | 24 | 165 | 200 | 14 | 175 | 63 | 18 | 7 | – | 266 | – | ■ |
| K 004.051.200.20 | 85 | 110 | 577 | 6xM 8x15 | 64 | G3/8 | 50 | 10 | 30 | 28.5 | M22x2 | 20 | 24 | 165 | 200 | 14 | 275 | 63 | 18 | 7 | – | 466 | – | ■ |
| K 004.051.400.20 | 85 | 110 | 977 | 6xM 8x15 | 64 | G3/8 | 50 | 10 | 30 | 28.5 | M22x2 | 20 | 24 | 165 | 200 | 14 | 475 | 63 | 18 | 7 | – | 866 | – | ■ |
| K 004.051.400.50 | 85 | 135 | 977 | 6xM 8x15 | 64 | G3/8 | 50 | 10 | 30 | 28.5 | M22x2 | 20 | 24 | 176 | 225 | 14 | 475 | 63 | 18 | 7 | – | 866 | – | ■ |
| K 008.051.100.10 | 110 | – | 392 | 6xM10x16 | 88 | G3/8 | 70 | 10 | 45 | 35 | M30x2 | 25 | 36 | 176 | 250 | 15 | 183 | 90 | 26 | 7 | 47 | 273 | – | ■ |
| K 008.051.200.10 | 110 | – | 592 | 6xM10x16 | 88 | G3/8 | 70 | 10 | 45 | 35 | M30x2 | 25 | 36 | 165 | 225 | 15 | 283 | 90 | 26 | 7 | – | 473 | – | ■ |
| K 008.051.200.20 | 110 | 135 | 592 | 6xM10x16 | 88 | G3/8 | 70 | 10 | 45 | 35 | M30x2 | 25 | 36 | 176 | 250 | 15 | 283 | 90 | 26 | 7 | 47 | 473 | – | ■ |
| K 008.051.400.20 | 110 | 135 | 992 | 6xM10x16 | 88 | G3/8 | 70 | 10 | 45 | 35 | M30x2 | 25 | 36 | 176 | 250 | 15 | 483 | 90 | 26 | 7 | – | 873 | – | ■ |
| K 008.051.400.50 | 110 | 170 | 992 | 6xM10x16 | 88 | G3/8 | 70 | 10 | 45 | 35 | M30x2 | 25 | 36 | 241 | 285 | 15 | 483 | 90 | 26 | 7 | – | 873 | ■ | ■ |
| K 015.051.100.10 | 135 | 200 | 535 | 6xM16x25 | 100 | G3/8 | 75 | 15 | 50 | 36 | M30x2 | 25 | 41 | 271 | 340 | 17.5 | 184.5 | 110 | 26 | 7 | 50 | 289 | ■ | – |
| K 015.051.200.10 | 135 | 200 | 655 | 6xM16x25 | 100 | G3/8 | 75 | 15 | 50 | 36 | M30x2 | 25 | 41 | 271 | 340 | 17.5 | 284.5 | 110 | 26 | 7 | 70 | 489 | ■ | – |
| K 015.051.400.10 | 135 | 200 | 1055 | 6xM16x25 | 100 | G3/8 | 75 | 15 | 50 | 36 | M30x2 | 25 | 41 | 271 | 340 | 17.5 | 484.5 | 110 | 26 | 7 | 26 | 889 | ■ | – |
| K 015.051.100.20 | 135 | 200 | 595 | 6xM16x25 | 100 | G3/8 | 75 | 15 | 50 | 36 | M30x2 | 25 | 41 | 271 | 340 | 17.5 | 184.5 | 110 | 26 | 7 | 110 | 289 | ■ | – |
| K 015.051.200.20 | 135 | 200 | 655 | 6xM16x25 | 100 | G3/8 | 75 | 15 | 50 | 36 | M30x2 | 25 | 41 | 271 | 340 | 17.5 | 284.5 | 110 | 26 | 7 | 110 | 489 | ■ | – |
| K 015.051.300.20 | 135 | 200 | 855 | 6xM16x25 | 100 | G3/8 | 75 | 15 | 50 | 36 | M30x2 | 25 | 41 | 271 | 340 | 17.5 | 384.5 | 110 | 26 | 7 | 105 | 689 | ■ | – |
| K 015.051.400.20 | 135 | 200 | 1055 | 6xM16x25 | 100 | G3/8 | 75 | 15 | 50 | 36 | M30x2 | 25 | 41 | 271 | 340 | 17.5 | 484.5 | 110 | 26 | 7 | 26 | 889 | ■ | – |
| K 015.051.100.40 | 135 | 267 | 655 | 6xM16x25 | 100 | G3/8 | 75 | 15 | 50 | 36 | M30x2 | 25 | 41 | 410 | 410 | 17.5 | 184.5 | 110 | 26 | 7 | 100 | 289 | ■ | – |
| K 015.051.200.40 | 135 | 267 | 655 | 6xM16x25 | 100 | G3/8 | 75 | 15 | 50 | 36 | M30x2 | 25 | 41 | 410 | 410 | 17.5 | 284.5 | 110 | 26 | 7 | 100 | 489 | ■ | – |
| K 015.051.400.40 | 135 | 267 | 1055 | 6xM16x25 | 100 | G3/8 | 75 | 15 | 50 | 36 | M30x2 | 25 | 41 | 410 | 410 | 17.5 | 484.5 | 110 | 26 | 7 | 100 | 889 | ■ | – |
| K 030.051.100.10 | 170 | 267 | 605 | 6xM20x30 | 132 | G3/4 | 100 | 18 | 56 | 47 | M39x2 | 35 | 50 | 410 | 445 | 20 | 236 | 125 | – | – | 65 | 307 | ■ | – |
| K 030.051.200.10 | 170 | 267 | 700 | 6xM20x30 | 132 | G3/4 | 100 | 18 | 56 | 47 | M39x2 | 35 | 50 | 410 | 445 | 20 | 336 | 125 | – | – | 50 | 507 | ■ | – |
| K 030.051.400.10 | 170 | 267 | 1060 | 6xM20x30 | 132 | G3/4 | 100 | 18 | 56 | 47 | M39x2 | 35 | 50 | 410 | 445 | 20 | 536 | 125 | – | – | 26 | 907 | ■ | – |
| K 030.051.200.20 | 170 | 267 | 760 | 6xM20x30 | 132 | G3/4 | 100 | 18 | 56 | 47 | M39x2 | 35 | 50 | 410 | 445 | 20 | 336 | 125 | – | – | 170 | 507 | ■ | – |
| K 030.051.400.20 | 170 | 267 | 1060 | 6xM20x30 | 132 | G3/4 | 100 | 18 | 56 | 47 | M39x2 | 35 | 50 | 410 | 445 | 20 | 536 | 125 | – | – | 40 | 907 | ■ | – |
| K 030.051.200.40 | 170 | 267 | 900 | 6xM20x30 | 132 | G3/4 | 100 | 18 | 56 | 47 | M39x2 | 35 | 50 | 410 | 445 | 20 | 336 | 125 | – | – | 310 | 507 | ■ | – |
| K 030.051.400.40 | 170 | 267 | 1060 | 6xM20x30 | 132 | G3/4 | 100 | 18 | 56 | 47 | M39x2 | 35 | 50 | 410 | 445 | 20 | 536 | 125 | – | – | 300 | 907 | ■ | – |
| K 050.051.100.10 | 200 | 324 | 660 | 8xM20x30 | 150 | G1/2 | 115 | 25 | 63 | 52 | M42x2 | 40 | 55 | 500 | 530 | 23 | 243 | 140 | – | – | 90 | 313 | ■ | – |
| K 050.051.300.10 | 200 | 324 | 880 | 8xM20x30 | 150 | G1/2 | 115 | 25 | 63 | 52 | M42x2 | 40 | 55 | 500 | 530 | 23 | 443 | 140 | – | – | 50 | 713 | ■ | – |
| K 050.051.100.20 | 200 | 324 | 740 | 8xM20x30 | 150 | G1/2 | 115 | 25 | 63 | 52 | M42x2 | 40 | 55 | 500 | 530 | 23 | 243 | 140 | – | – | 140 | 313 | ■ | – |
| K 050.051.300.20 | 200 | 324 | 880 | 8xM20x30 | 150 | G1/2 | 115 | 25 | 63 | 52 | M42x2 | 40 | 55 | 500 | 530 | 23 | 443 | 140 | – | – | 210 | 713 | ■ | – |
| K 050.051.100.40 | 200 | 324 | 900 | 8xM20x30 | 150 | G1/2 | 115 | 25 | 63 | 52 | M42x2 | 40 | 55 | 500 | 530 | 23 | 243 | 140 | – | – | 330 | 313 | ■ | – |
| K 050.051.300.40 | 200 | 324 | 1040 | 8xM20x30 | 150 | G1/2 | 115 | 25 | 63 | 52 | M42x2 | 40 | 55 | 500 | 530 | 23 | 443 | 140 | – | – | 370 | 713 | ■ | – |

*LF: Version with pneumatic spring. See page 2.

Dimensions in mm

**IV: Integrated power stroke valve

Pneumatic connection sizes

| Connection | Nominal sizes/Inside-Ø hose |
|------------|-----------------------------|
| G1/4" | 7 - 8 mm |
| G3/8" | 8 - 9 mm |
| G1/2" | 10 - 11 mm |
| G3/4" | 19 - 20 mm |
| G1" | 25 mm |
| G1 1/2" | 38 mm |

Note:

TOX®-Powerpackages with compact design and total stroke adjustment are available on request with a operating pressure from 6 bar.

Note: For a trouble-free operation, the connection size and nominal size must be maintained throughout the compressed air supply.

TOX®-Powerpackage special versions

TOX®-Powerpackage ZLM for use in the food industry

With the exception of line-Q, all TOX®-Powerpackages are available with food grade oil and grease lubrication. Both lubricants are certified according to USDA-H11 and are used wherever there is a chance of occasional, technically unavoidable contact between foodstuffs and lubricant.

TOX®-Powerpackages are used in industrial food manufacturing, processing, filling and packaging machines, as well as in the pharmaceutical and cosmetics industry.

Compatible with:

All TOX®-Powerpackages (without line-Q)

Order no.

S 1.32.6 - **ZLM**

└── Food-grade version
└── Order no. of TOX®-Powerpackage

TOX®-Powerpackage in anti-rust version ZRO

With the exception of line-Q, all TOX®-Powerpackages can be supplied with rust protection. All individual parts are either plasma nitrided, galvanised or primed and painted. These devices are particularly suitable for use in the food and packaging industries.

Compatible with:

All TOX®-Powerpackages (without line-Q)

Order no.

S 1.32.6 - **ZRO**

└── Anti-rust version
└── Order no. of TOX®-Powerpackage

On request, we can provide TOX®-Powerpackages as stainless steel version. Please contact us!